

Bourdon Tube Pressure Gauge Type 111.25CT Contractor Gauge Standard Series

WIKA Datasheet 111.25CT

Applications

- HVAC & plumbing contractors
- Suitable for all media that will not obstruct the pressure system or attack copper alloy parts

Special Features

- Stainless steel case
- $\pm 1\%$ accuracy
- Reliable and economical



Bourdon Tube Pressure Gauge Type 111.25CT

Standard Features

Design

ASME B40.100

Sizes

4½" (124 mm)

Accuracy class

$\pm 1\%$ of span (ASME B40.100 Grade 1A)

Ranges

Vacuum / Compound to 200 psi
Pressure from 15 psi to 600 psi
or other equivalent units of pressure or vacuum

Working pressure

Steady: $\frac{3}{4}$ of full-scale value
Fluctuating: $\frac{2}{3}$ of full-scale value
Short time: full-scale value

Operating temperature

Ambient: -40°F to 140°F (-40°C to 60°C)
Media: 140°F (+60°C) maximum

Temperature error

Additional error when temperature changes from reference temperature of 68°F (20°C) $\pm 0.4\%$ for every 18°F (10°C) rising or falling. Percentage of span.

Pressure connection

Material: Copper alloy
¼" NPT lower mount (LM)

Bourdon tube

Material: copper alloy
C-type

Movement

Copper alloy

Dial

White aluminum with stop pin and black lettering

Pointer

Black aluminum, adjustable

Case

Stainless steel, matte finish

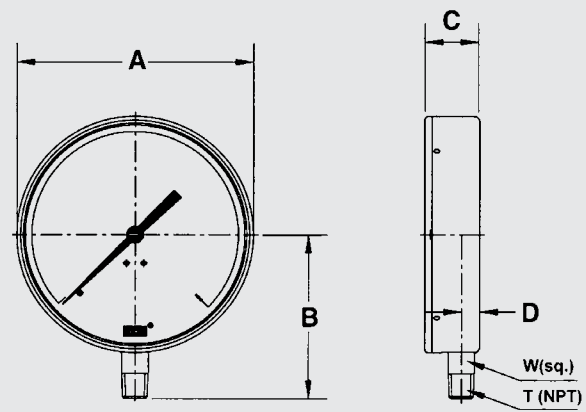
Window

Snap-in polycarbonate

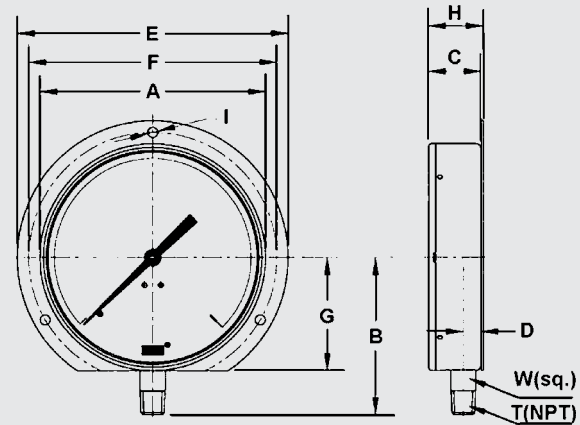
Optional Extras

- Stainless steel rear flange
- Brass restrictor
- Nickel-plated connection
- Custom dial layout
- Other pressure scales available:
bar, kPa, MPa, kg/cm² and dual scales

Dimensions



111.25CT 4.5" LM



111.25CT 4.5" LM / RF

Size		A	B	C	D	E	F	G	H	I	T	W	Weight
4.5"	mm	124	86	29.2	9.8	149	137	62	30.5	5.6		14	
	in	4.88	3.38	1.15	0.39	5.87	5.37	2.44	1.20	0.22	1/4"	0.55	0.80 lb.

Ordering information

Pressure gauge model / Nominal size / Scale range / Size of connection / Optional extras required
 Specifications and dimensions given in this leaflet represent the state of engineering at the time of printing.
 Modifications may take place and materials specified may be replaced by others without prior notice.



WIKA Instrument Corporation
 1000 Wiegand Boulevard
 Lawrenceville, GA 30043-5868
 Tel: 888-WIKA-USA • 770-513-8200
 Fax: 770-338-5118
 E-Mail: info@wika.com
 www.wika.com